

Deckert – Labeller, Series DEM



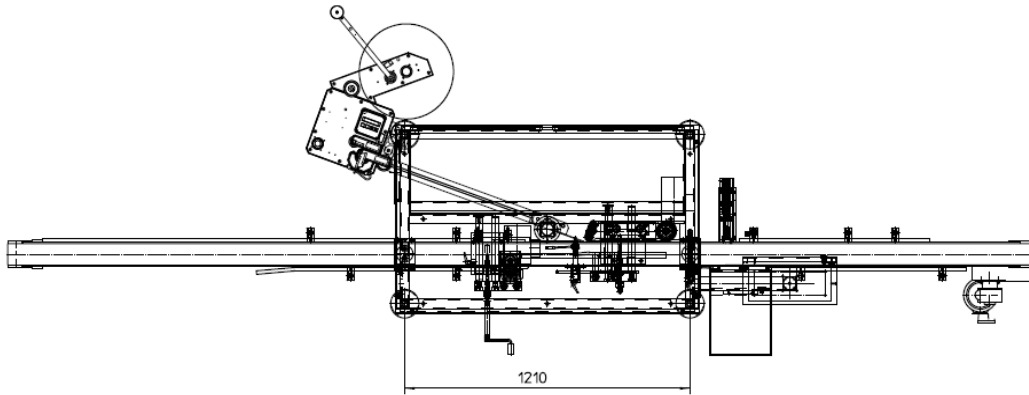
Deckert-Labeler, Series DEM



Front view to the machine

Main Features:

- ⇒ small, requires small floor-space
- ⇒ no size parts required (in case of handling round containers only)
- ⇒ fast changeover in less than 5 minutes
- ⇒ all controls available like OCR/OCV, label-presence-sensor, bar-code-scanner
- ⇒ different kind of printers available, like Thermotransfer, Hot-Foil, Ink Jet, Laser....
- ⇒ Reject Station with reject verification
- ⇒ als reiner Rundumetikettierer ist keine Schutzeinhausung notwendig
- ⇒ available in entire bottle-lines as well as single machine. can easily be integrated in already existing lines
- ⇒ upgrade available to label containers over 2 or 3 sides
- ⇒ Ausbaubar zur Verarbeitung von staufähigen Formgebunden



Technical Details:

Model: DEM

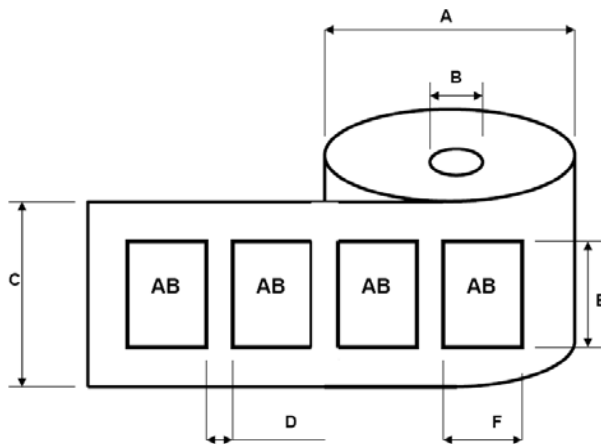
Output: up to 220 bottles/min

Depending on Container and Label length

Containers: up to Ø 90 mm, height: 200 mm

Labels: up to 170 mm, length: 250 mm

Label reels: up to Ø 400 mm



A = Outside dia. of label reel: max. 380 mm
 B = Core dia.: 40 – 76 mm
 C = Width of label-web: max. 130 mm
 D = Distance label to label: 1 mm (+/- 0,1 mm)
 E = Label height: min. 10 mm, max. 128 mm
 F = Label length: min. 10 mm, max. 250 mm
 Beginning of word ahead
 Labels outside

Other kinds of label reels are possible
 and available as well

Machines for higher outputs are available as well.

Control and Operation:

Siemens PLC S7-300

Siemens Panel OP77 or option Touchscreen MP277

Password-protected operating-menue-structure

Deckert-Labeler, Series DEM



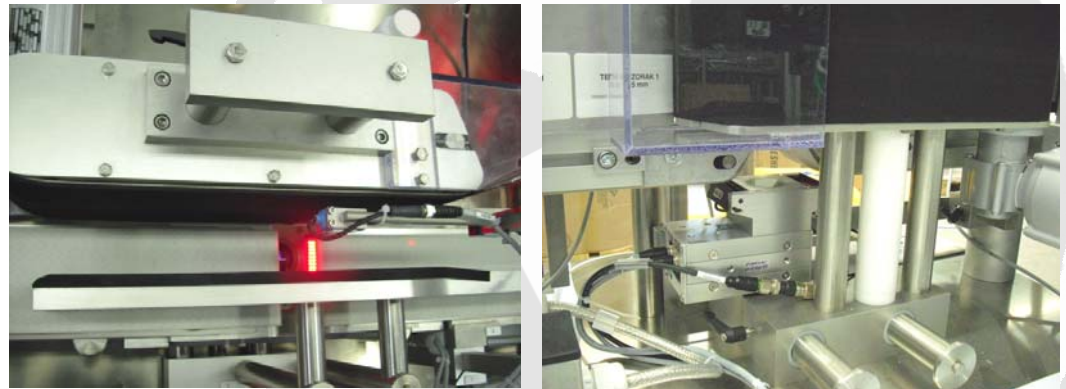
Thermotransfer-Printer and
OCV-Camera for verifying the
imprint and bar-code



Labelling on 3 sides of square bottles



Reel-unwinding and web-collection

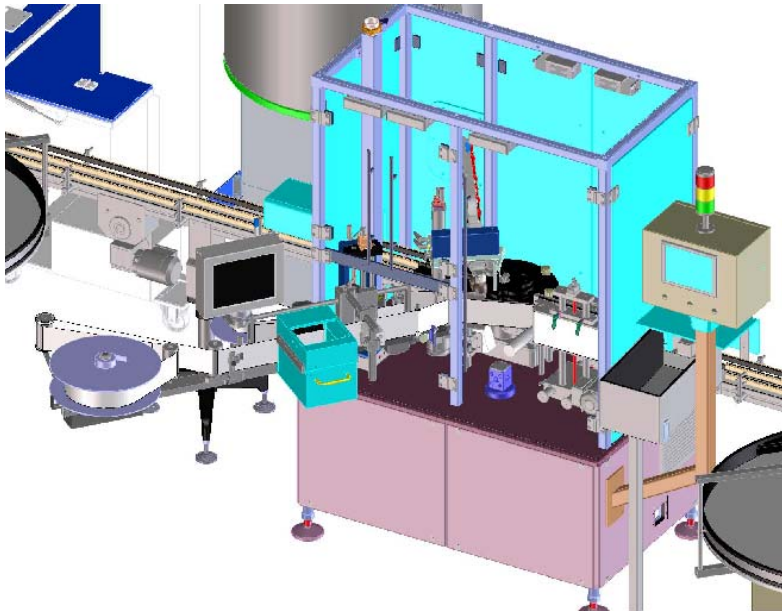
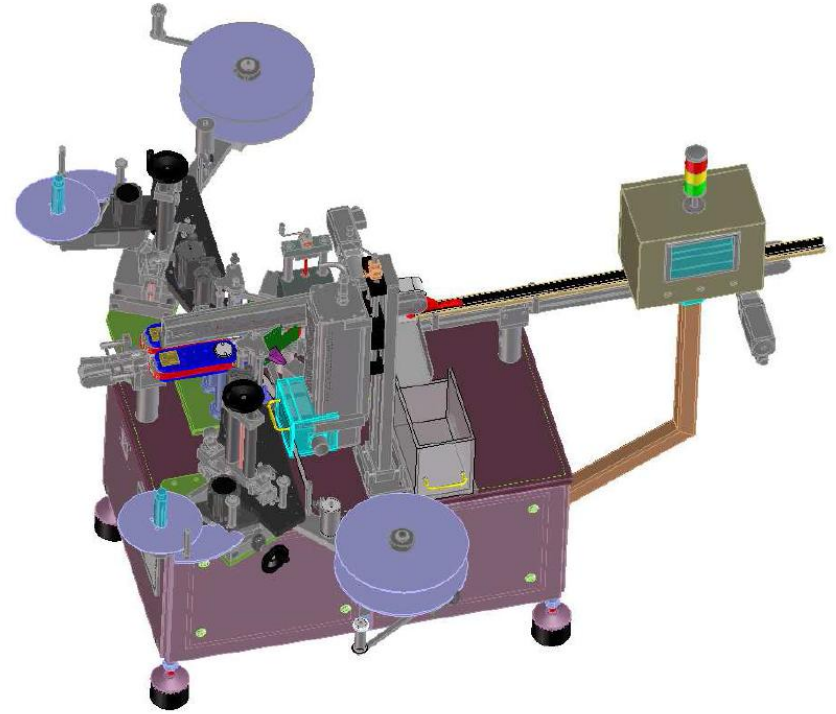


Camera system 2D-Code on the bottle bottom

Deckert-Labeler, Series DEM



Labelling on 2 sides and vision system



Labelling of round bottles and applying of measuring cup

Our machinery programm includes a wide range of machines for filling and sealing of solids and liquids in vials, bottles, cans and containers. Our machines are designed for the pharmaceutical industry - suitable for the pharmaceutical and cosmetics industries. For the chemical and food industries, we have a special portfolio. We also offer special peripheral equipment upstream and downstream for TURN-KEY SYSTEMS.

The modular and ergonomically designed machines can be operated individually or in-line combinations. Different engine power ranges are available for customer-specific requirements and expertise.

Engineering - Manufacturing - Services in the pharmaceutical industry - all from one source. Years of experience and Know-how, coupled with our proverbial flexibility solve your packaging tasks.

Are you interested?

For further questions about our range of machines kindly contact us:



R.DECKERT

Komplexe Aufgaben. Packende Lösungen.



R. DECKERT GmbH & Co. KG · Spezialmaschinen · Turn-Key Engineering

Steinbeisweg 60 · D-74523 Schwäbisch Hall · Phone: +49 / (0)791 / 95151-0

info@rdeckert.com · www.rdeckert.com